

# U3 Tilt product information sheet



Recipient of the 2004 CEDIA  
Manufacturers' Excellence Award



The U3 Tilt is a solid choice for consumers who need a large tilt mount with universal compatibility. The Classic Series is a full line of fixed, tilt, flip down and full motion mounting solutions designed with simplicity and reliability in mind.

## Product Benefits

- Tilt +15° to -5° to reduce glare
- Universal rails and extension rods for greater VESA compatibility
- Lift n' Lock™ allows you to easily attach your TV to the mount
- Tension adjustment for variable tilt
- Sliding lateral on-wall adjustment
- Open architecture provides easy access to in-wall wiring
- Safety screw secures TV to mount
- Rail hooks are padded to avoid metal-on-metal contact and reduce vibration
- Installation template for simple and accurate mounting
- Includes complete hardware kit



The U3 Tilt comes with an installation template to ensure a quick, easy and accurate installation.

## Product Specifications

**Fits most:** 37–63" flat panels  
**Supports up to:** 200 lbs (90.7 kg)  
**Tilt:** +15° to -5°  
**Mounting profile:** 2.9" (74mm)  
**Universal & VESA compliant:**  
100wx100h to 800wx500h  
**Mounting:** Double-stud  
**UL listed:** Yes  
**Warranty:** 5 years  
**Color:** Black

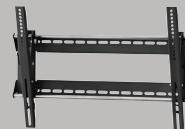
## Series



QM100 T\*



U2 Fixed\*\*



U3 Tilt\*\*\*

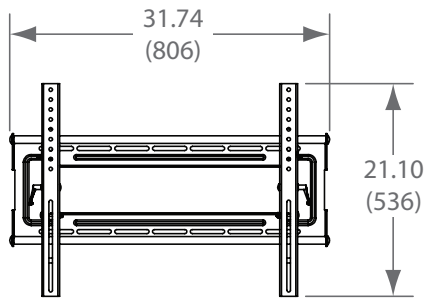


UCL

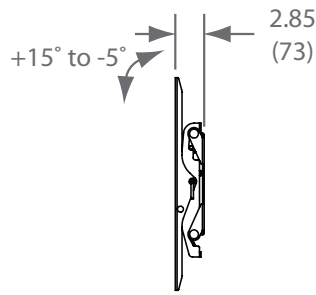
\* also available in small and medium fixed  
\*\* also available in large/extra large  
\*\*\* also available in small and medium



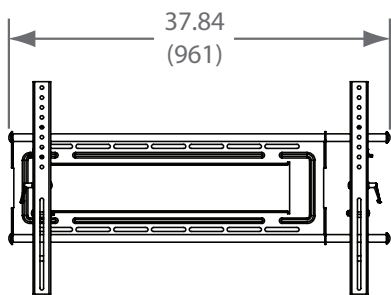
# U3 Tilt technical data sheet



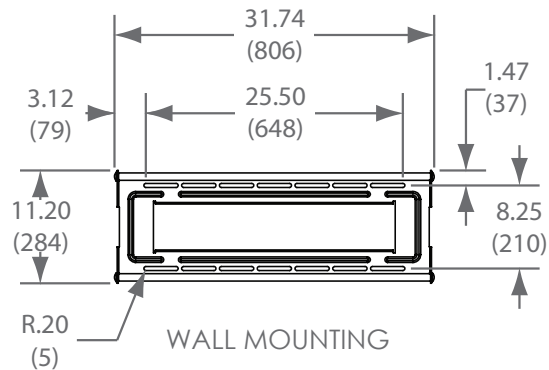
FRONT VIEW



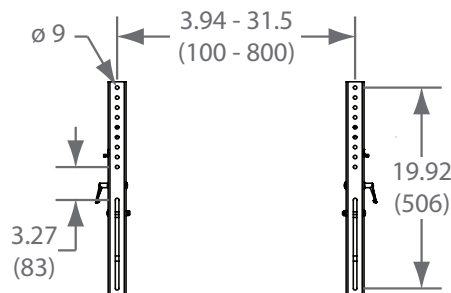
MOUNTING PROFILE



FRONT VIEW WITH EXTENSION RAILS



WALL MOUNTING



PANEL ATTACHMENT - VESA COMPATIBILITY (mm)



inches (mm)

	Packaging UPC	MC UPC
Americas	728901014178	NA
International	728901017865	NA

	Dimensions WxDxH inches (mm)	Wt lbs (kg)	Qty
Box	12.2 x 32.9 x 5.5 (310x835x140)	20.6 (9.3)	NA
MC	NA	NA	NA

Box Contents	Qty
Wall plate	1
Vertical tilt rail	2
Horizontal extension rail	4
Vertical extension rail	2
Installation template	1

Box Contents	Qty
Complete mount installation hardware kit	1
Complete TV attachment hardware kit	1
Instruction manual	1
TV compatibility chart	1

